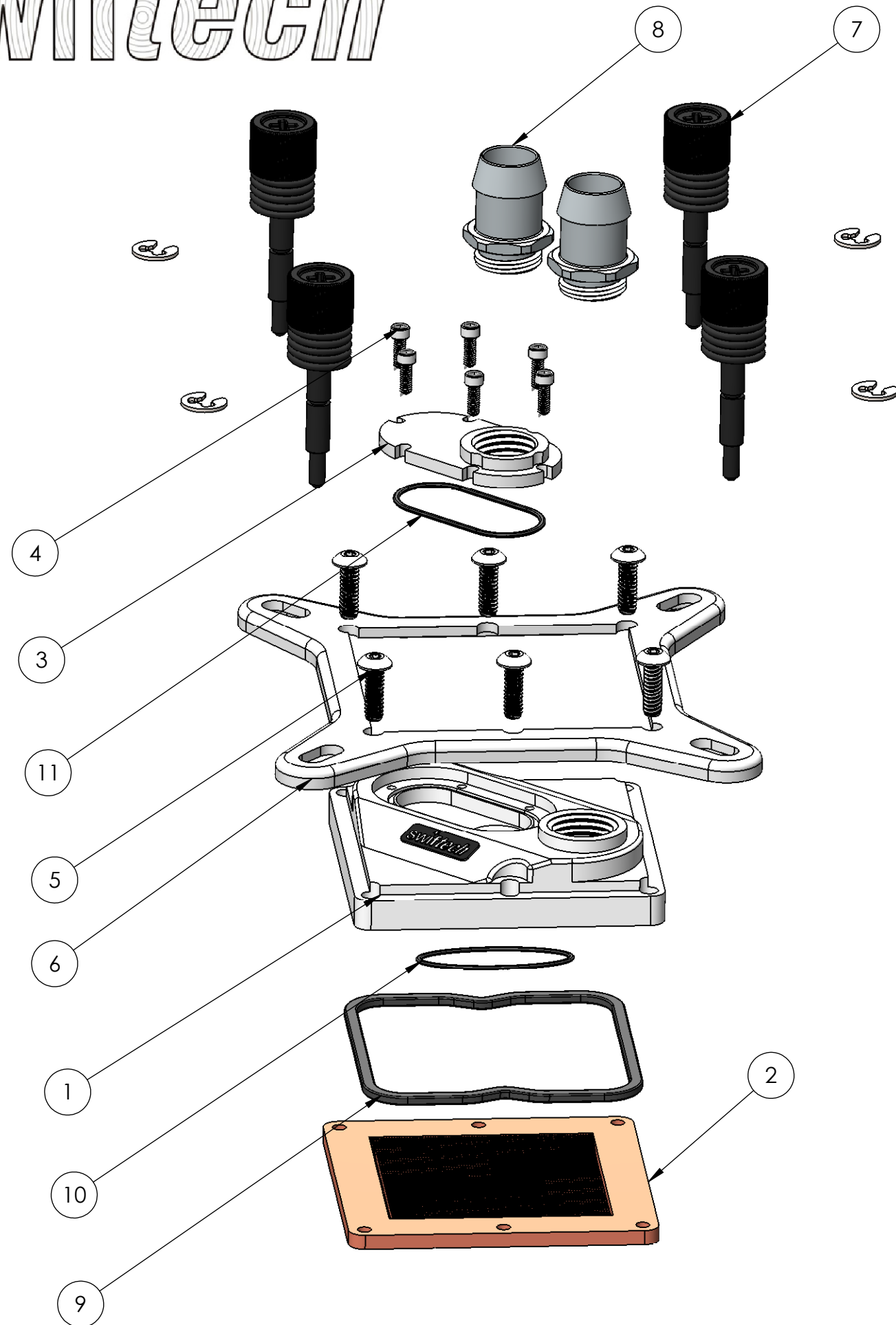


APOGEE XT BILL OF MATERIAL



ITEM NO.	PART NUMBER	DESCRIPTION	QTY.
1	Apogee-XT-H	Black Chrome Plated Brass Housing	1
2	Apogee-XT-BP	Passivated Copper Base Plate	1
3	Apogee-XT-CAP	Chrome Plated Brass Inlet Cap	1
4	92196A077	2-56 x 1/4" S/S socket cap screw	6
5	92949A149	6-32 x 7/16" S/S Button Head screw	6
6	Apogee-XT-INTEL-HDP	Hold down plate	1
7	GTZ-Retention	screw/spring assembly	4
	Shoulder-Screw	Custom M3 thumb Screw	1
	Spring	spring	1
	98543A112	e-ring	1
8	1-4 BSPP x 1-2 Barb - Long		2
	G1-4 to 1-2Barb Long		1
	2mmx15mmOD-O-ring-for-1-4 BSPP-EUROSTYLE FITTINGS	2mm wide - 15MM OD - Buna N - ShoreA 70	1
9	2mmx60mmID - Body O-ring		1
10	1mmx20mmID Inlet O-ring 2		1
11	1mmx25mm inlet o-ring 1		1