



H140, 220, 240-X Kit series

Pump outlet replacement G1/4 compatible fitting installation

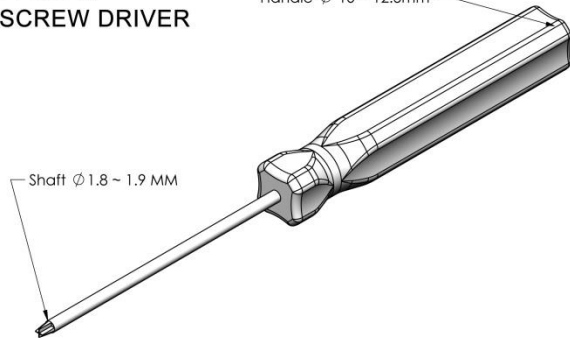
Tool Needed:
A thin Philips screwdriver

**Dimensions are important
for proper installation**

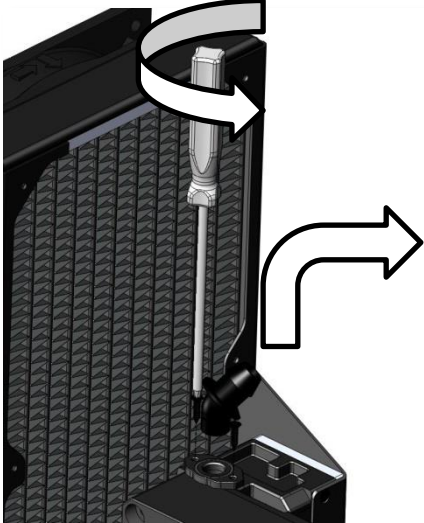
**PHILIPS
SCREW DRIVER**

Handle \varnothing 10 ~ 12.5mm

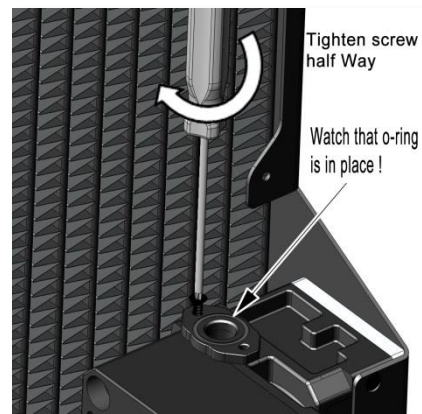
Shaft \varnothing 1.8 ~ 1.9 MM



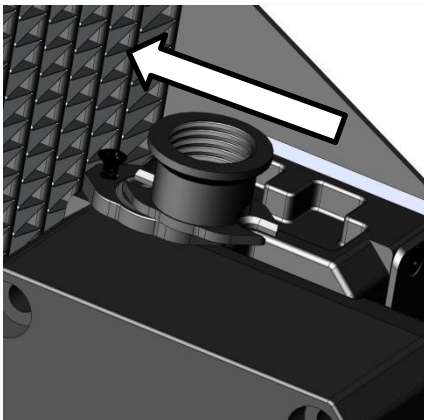
1. Loosen both screws and remove the existing fitting



2. Install screw #1 about half-way – Watch that the o-ring is still in place!!!



3. Put the G1/4 adapter in position

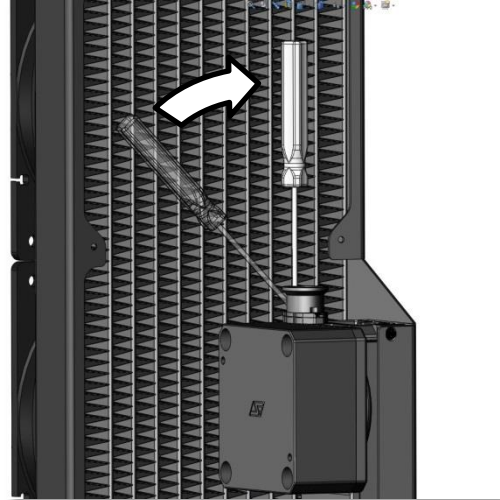


4. Install and fasten screw #2 all the way

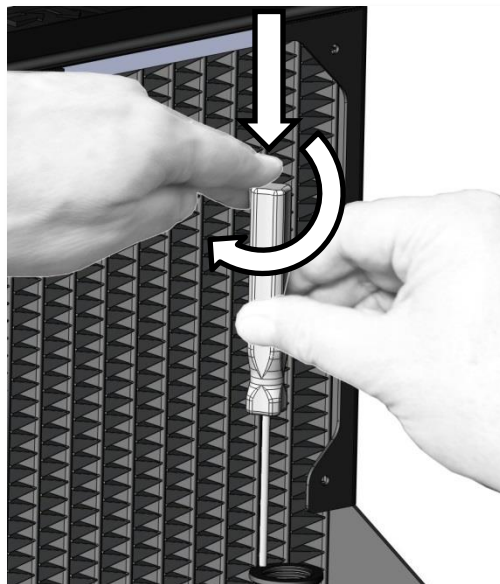


5. Wedge the tip of the screwdriver into the head of the Philips screw, making sure its tip is held inside of the screw slot

...And then straighten the screw driver. The shaft of the screwdriver may bow a little, since there is so little space



6. Finally, while firmly pushing down on the top of the screw driver to maintain it in place, firmly fasten the remaining screw till it bottoms out. This is not particularly easy, and requires a good grip since the screw driver is small and offers little holding surface. You may also use a pair of thin nose pliers (instead of your fingers) to get a better grip on the screw driver and lock the screw into place.



Inspect that both screws are fully tightened and make sure that there is no gap between the fitting and its mating surface or it will leak! You are done!