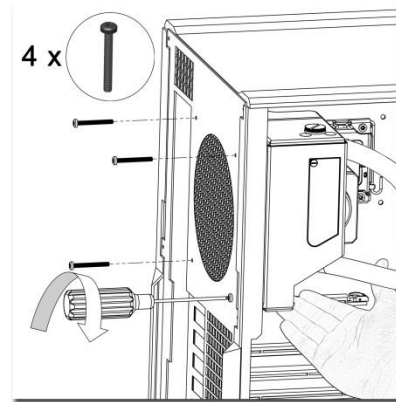
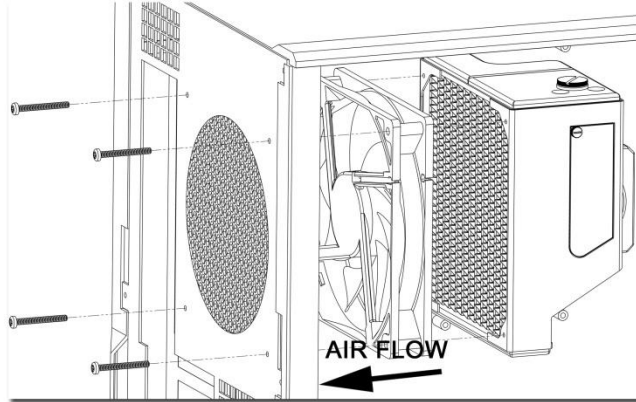




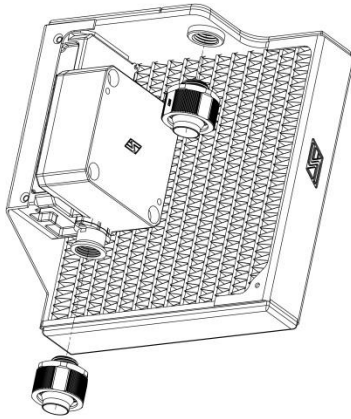
MCR140-X Drive integrated radiator & pump

QUICK INSTALLATION GUIDE – GUIDE D'INSTALLATION – GUÍA D'INSTALACION

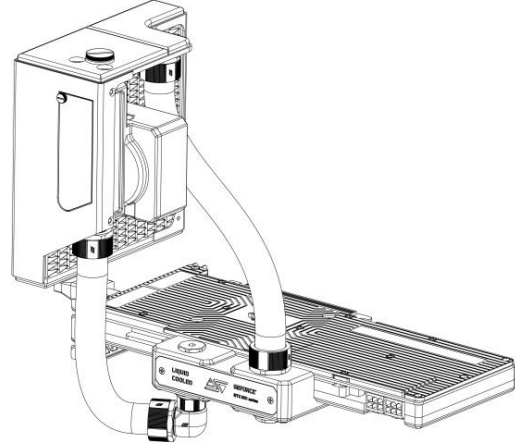
Securing to chassis



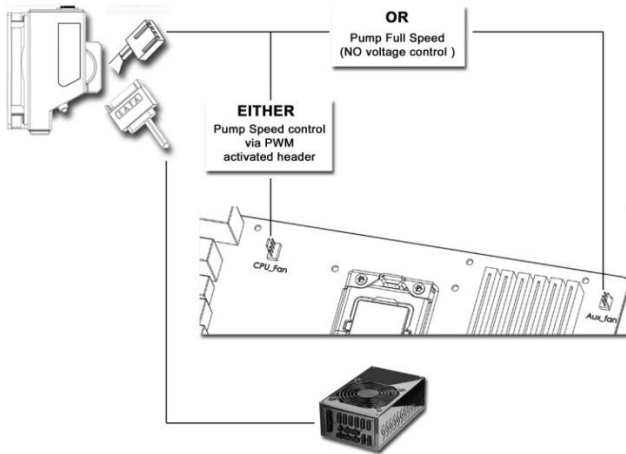
Installing G1/4 compatible fittings of your choice



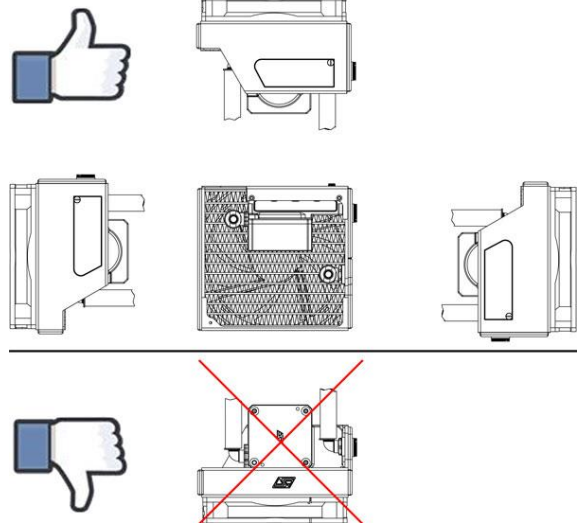
VGA Installation example



Electrical Installation



Radiator orientations



RECOMMENDED PROCEDURE FOR FILLING-UP THE SYSTEM

1. Recommended coolant : Hydrx PM or 90% distilled water + 10% Corrosion & Algae Inhibitor Additives (antifreeze)
2. Procedure:
 - a. Keeping the MCR140-X higher than the waterblock, open fill-port, and fill with coolant
 - b. Close the fill-port and start-up the pump for a few seconds until liquid empties from reservoir, then turn-off the power.
 - c. Re-open the fill-port, refill the unit with coolant, then close the fill-port, and start-up the power again; depending on how many devices you have in the loop, you may have to repeat this procedure until the coolant circulates in the loop constantly.
IMPORTANT NOTE: the pump is not self-priming; THERE MUST BE FLUID IN THE RESERVOIR FOR THE PUMP TO CIRCULATE THE COOLANT.
 - d. Finishing up:
 - i. Turn-on the power, open the fill-port FIRST, then loosen the bleed screw located at the front of the reservoir (1 to 2 turns)
 - ii. Add coolant to the reservoir until full, then fasten the bleed-screw (do not over tighten), and finally close the fill-port. Note you must always fasten the bleed-screw BEFORE you close the fill-port.

**ALWAYS TEST YOUR COOLING SYSTEM FOR LEAKS PRIOR TO ENERGIZING THE MOTHERBOARD!
TOUJOURS TESTER VOTRE SYSTEME DE REFROIDISSEMENT LIQUIDE POUR DES FUITES
EVENTUELLES AVANT DE METTRE LA CARTE-MERE EN PUISSANCE!**

Pump specifications:

Pump speed control	PWM
Pump Speed range	1200 ~ 3000 RPM
Pump nominal voltage	12 VDC
Pump nominal power	6W
Pump Bearing type	Ceramic shaft, PTFE bearing
Pump Power connector	SATA
Pump RPM & PWM connector	Mini 4-pin

DISCLAIMER: While all efforts have been made to provide the most comprehensive tutorial possible, Swiftech® assumes no liability expressed or implied for any damage(s) occurring to your components as a result of using Swiftech® cooling products, either due to mistake or omission on our part in the above instructions, or due to failure or defect in the Swiftech® cooling products. In addition, Swiftech™ assumes no liability, expressed or implied, for the use of this product, and more specifically for any, and all damages caused by the use of this product to any other device in a personal computer, whether due to product failure, leak, and electrical short, and or electro-magnetic emissions. **WARRANTY:** Our products are guaranteed for 12 months from the date of delivery to the final user against defects in materials or workmanship. During this period, they will be repaired or have parts replaced provided that: (I) the product is returned to the agent from which it was purchased; (II) the product has been purchased by the end user and not used for hire purposes; (III) the product has not been misused, handled carelessly, or other than in accordance with any instructions provided with respect to its use. This guarantee does not confer rights other than those expressly set out above and does not cover any claims for consequential loss or damage. This guarantee is offered as an extra benefit and does not affect your statutory rights as a consumer.

IMPORTANT ! Malgré tous nos efforts pour vous offrir un guide technique le plus explicite possible, des erreurs ou omissions sont possibles. La Société Swiftech® ne pourra pas être tenue pour responsable pour tous dommages survenus aux composants suite à l'utilisation des produits de refroidissement Swiftech®, dommages dus à des erreurs ou oublis de notre part dans les instructions ci-dessus mais également dus à un mauvais fonctionnement ou un défaut des produits Swiftech®. Les images utilisées ci-après ne sont pas nécessairement contractuelles. **GARANTIE :** Nos produits bénéficient d'une garantie de 12 mois à partir de la date d'achat, garantie couvrant les défauts de matériaux ou de fabrication. Pendant cette période, les produits seront réparés ou remplacés si les conditions suivantes sont respectées : (I) le produit doit être retourné au revendeur où il a été acheté; (II) le produit a été acheté et utilisé par l'utilisateur final, il n'a pas été loué ; (III) le produit n'a pas été mal utilisé, manipulé sans attention ou sans respect des règles d'utilisation mentionnées. Cette garantie ne confère pas d'autres droits que ceux clairement cités plus haut et ne couvre aucune demande de dommages et intérêts. Cette garantie est offerte comme un extra et n'affecte pas vos droits statutaires de consommateur.