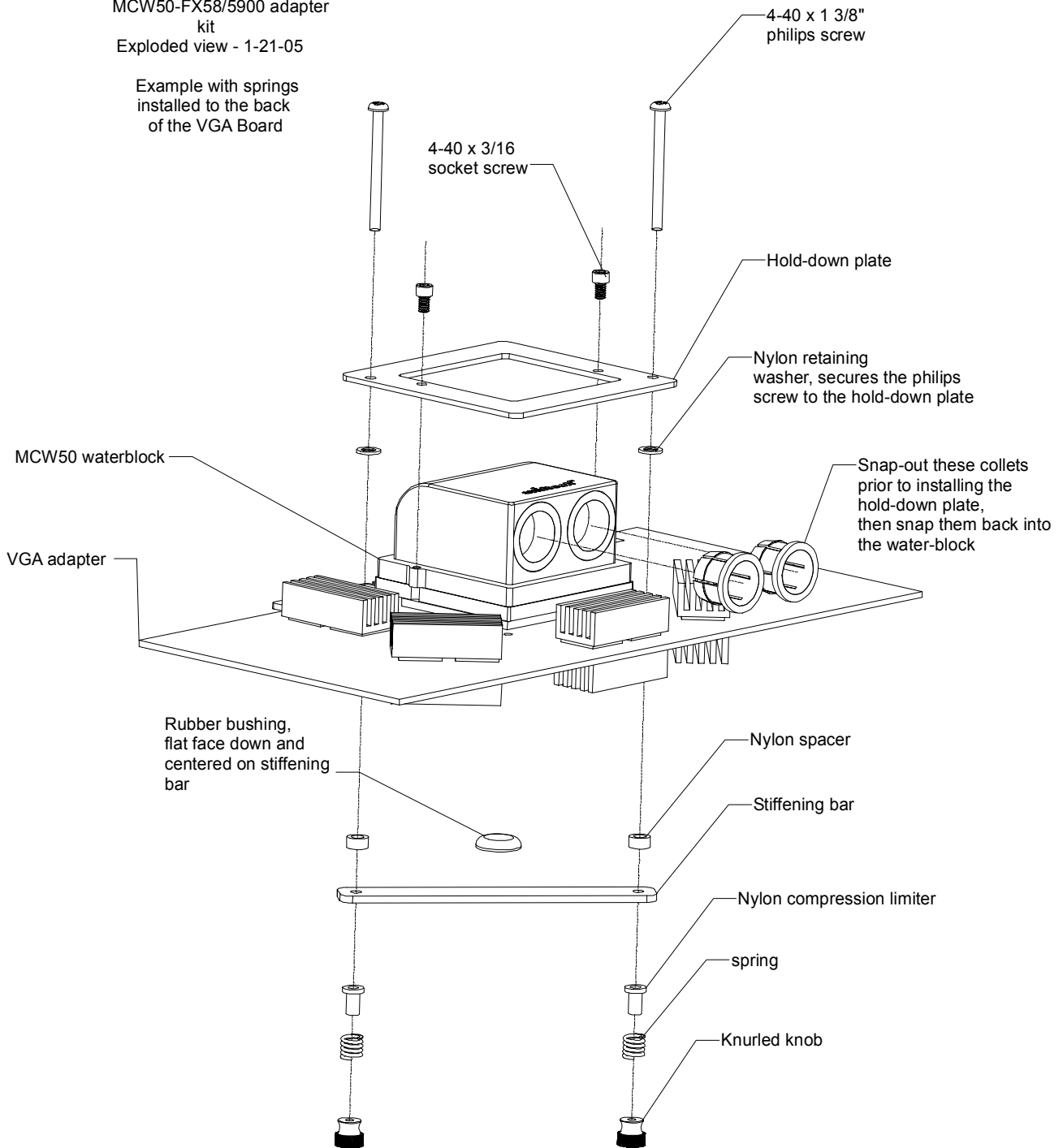


Swiftech - All right Reserved
MCW50-FX58/5900 adapter
kit
Exploded view - 1-21-05

Example with springs
installed to the back
of the VGA Board



Swiftech - All right Reserved
MCW50-FX58/5900 adapter kit
Exploded view - 1-21-05

Example with springs installed onto
hold-down plate
(for additional clearance at the back
of the VGA board
in SLI configurations)

