



APOGEE™ XT – MULTI MOUNT ADAPTER PLATE


AMD INSTALLATION GUIDE – GUIDE D'INSTALLATION – GUÍA DE INSTALACIÓN

1



Remove the stock hold down-plate
Using the provided Hex key loosen all 6 body screws, and set aside the plate with its mounting screw springs.

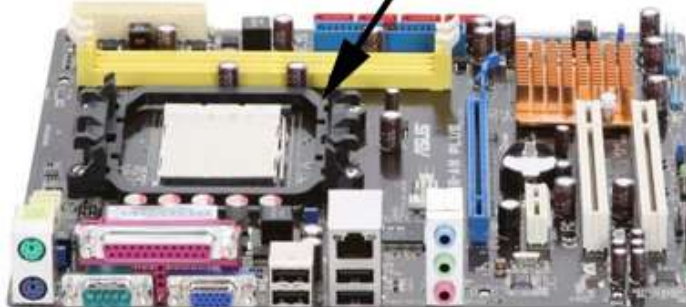
2



Install the Multi-mount hold-down plate
Using the provided Hex key fasten the plate to the block with all 6 body screws


3

Remove plastic frame



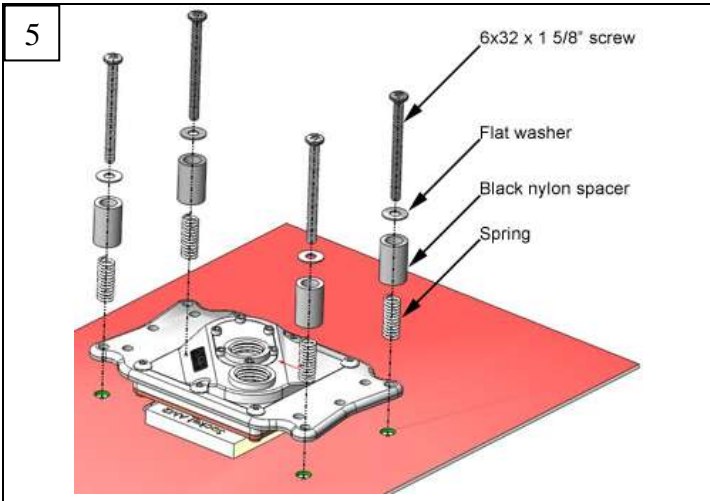
Prepare the motherboard: AMD 754, 770, 939, 940, AM2, AM3
Remove the motherboard plastic frame surrounding the socket.

4

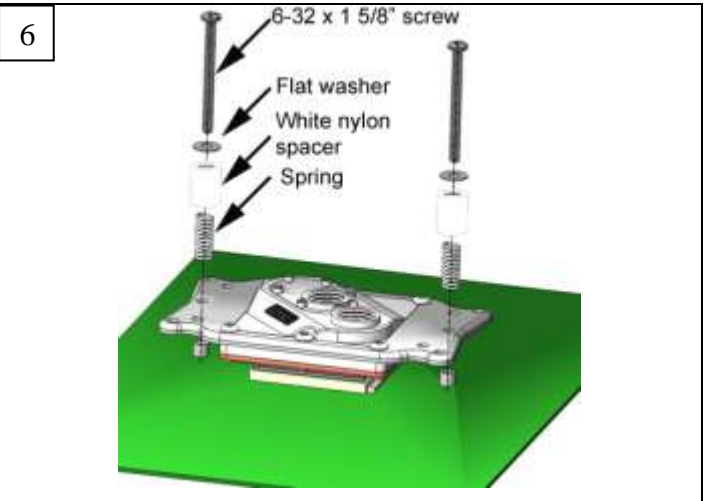


Amount of grease

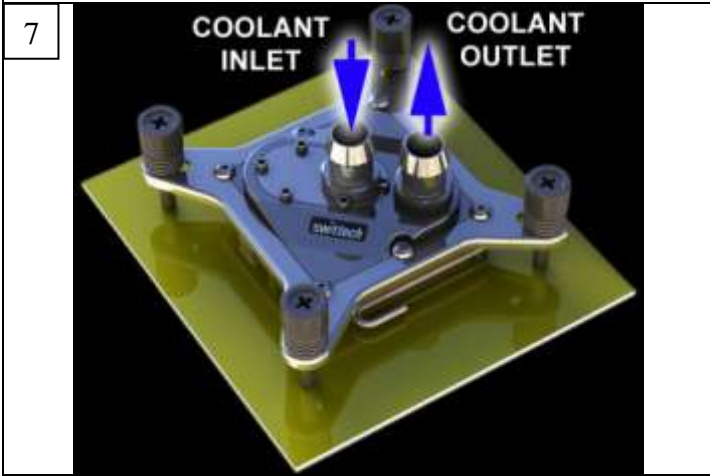
Prepare the CPU
Clean the CPU with a degreaser (preferably formulated for electronics) then apply the supplied grease to the center of the CPU.



AMD socket AM2, AM3 installation to the processor
 For this installation, you will be keeping the existing motherboard backplate. Place the waterblock on the CPU; slip on a washer, black nylon spacer and spring to each screw as shown above, and then insert all 4 screws in the holes of the plate aligning with the motherboard mounting holes. Then fasten all 4 screws gradually and in a cross pattern. The nylon spacer acts as a spring tension limiter. Once the screw head mates with the washer resting on top of the nylon spacer you will feel increased resistance, this is when you stop. Do not fasten any further or you will bend the hold-down plate excessively.



AMD socket 754, 939, 940 installation to the processor
 For this installation, you will be keeping the existing motherboard backplate. Place the waterblock on the CPU; slip on a washer, black nylon spacer and spring to each screw as shown above, and then insert both screws in the holes of the plate aligning with the motherboard mounting holes. Then fasten both screws gradually and in a cross pattern. The nylon spacer acts as a spring tension limiter. Once the screw head mates with the washer resting on top of the nylon spacer you will feel increased resistance, this is when you stop. Do not fasten any further or you will bend the hold-down plate excessively.



Install the tubing
 The coolant inlet is identified by a detachable plate. It is factory installed in its optimum position but can also be rotated 180° to allow the installation of large compression fittings (G ¼ standard thread). Some thermal and hydraulic performance degradation is inevitable when the plate is rotated.

Finally, fasten the tubing to the inlet and outlet fittings with the provided hose-clamps. The installation is now complete!

DISCLAIMER: While all efforts have been made to provide the most comprehensive tutorial possible, Swiftech® assumes no liability expressed or implied for any damage(s) occurring to your components as a result of using Swiftech® cooling products, either due to mistake or omission on our part in the above instructions, or due to failure or defect in the Swiftech® cooling products. In addition, Swiftech™ assumes no liability, expressed or implied, for the use of this product, and more specifically for any, and all damages caused by the use of this product to any other device in a personal computer, whether due to product failure, leak, and electrical short, and or electro-magnetic emissions. **WARRANTY:** Our products are guaranteed for 12 months from the date of delivery to the final user against defects in materials or workmanship. During this period, they will be repaired or have parts replaced provided that: (I) the product is returned to the agent from which it was purchased; (II) the product has been purchased by the end user and not used for hire purposes; (III) the product has not been misused, handled carelessly, or other than in accordance with any instructions provided with respect to its use. This guarantee does not confer rights other than those expressly set out above and does not cover any claims for consequential loss or damage. This guarantee is offered as an extra benefit and does not affect your statutory rights as a consumer.