



Komodo-NV Waterblocks for Nvidia® GeForce™ GTX Titan and 780 series reference boards



INSTALLATION GUIDE – GUIDE D'INSTALLATION – GUÍA D'INSTALACION

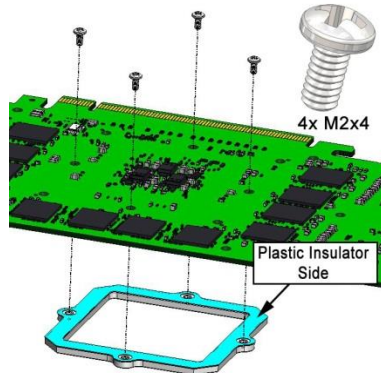
1. Disassemble the stock cooling solution

- Remove the stock cooling solution
- **Clean off** the GPU core, memory modules, and voltage regulators with alcohol, or preferably with an electronic degreaser such as ArctiClean.

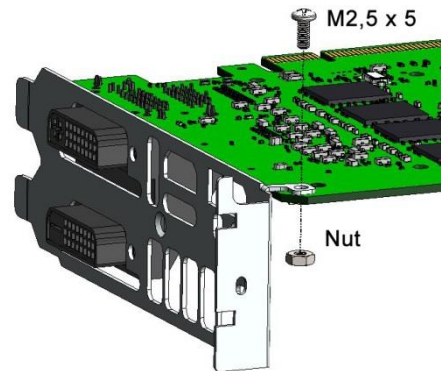
2. Stiffening frame installation

Warning! A thin, clear & transparent plastic insulator sheet is **already pre-applied** to the stiffening frame, and **MUST** mate with the PCB.

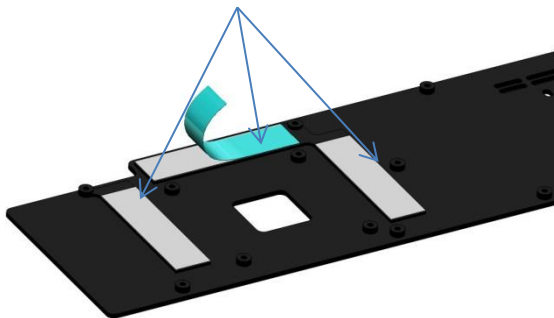
Carefully inspect the stiffening frame prior to installation in order to identify the correct side of application. A label identifies the face to be applied to the board.



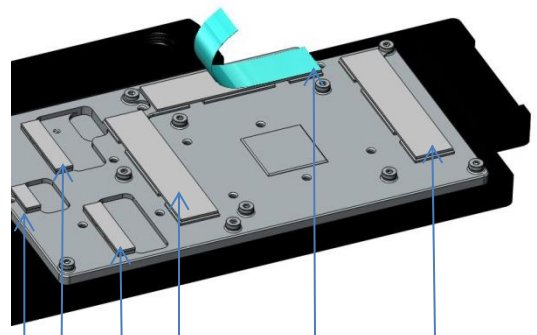
3. Secure the PCI bracket to the PCB with the provided M2,5 Screw & Nut



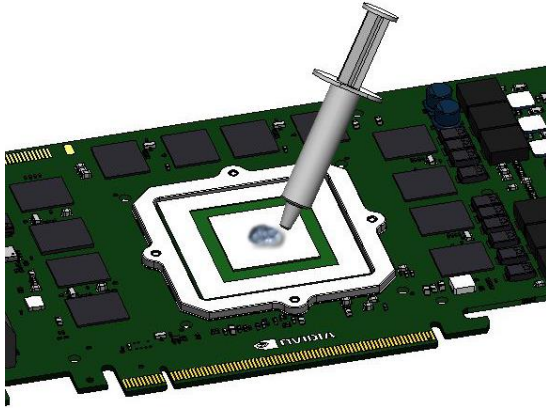
4. GTX Titan only: Peel-off the protective plastic film from the back-plate thermal pads – For GTX 780 version, do not peel off the plastic film.



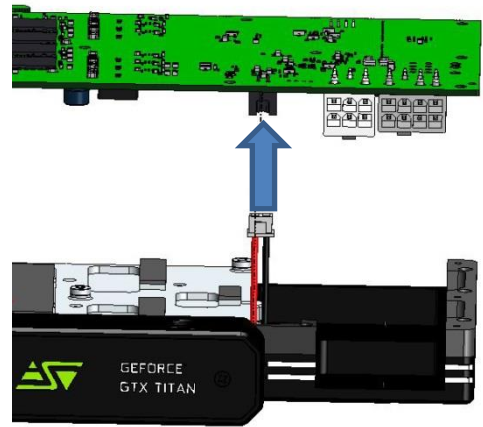
5. Peel-off the protective plastic film from the waterblock thermal pads



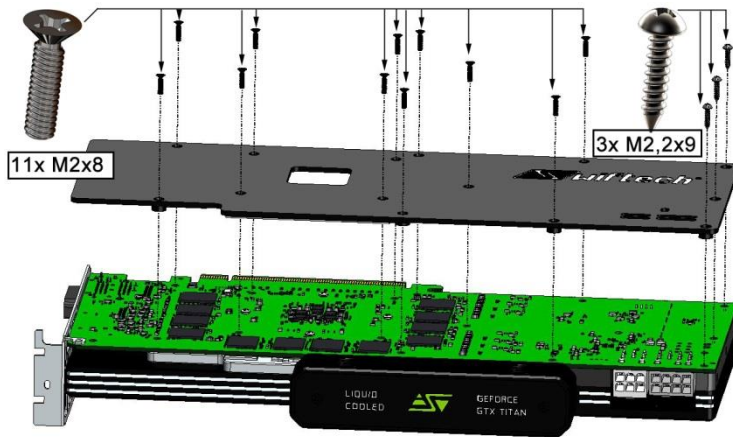
6. Apply the provided Tim Mate 2 thermal compound to the GPU



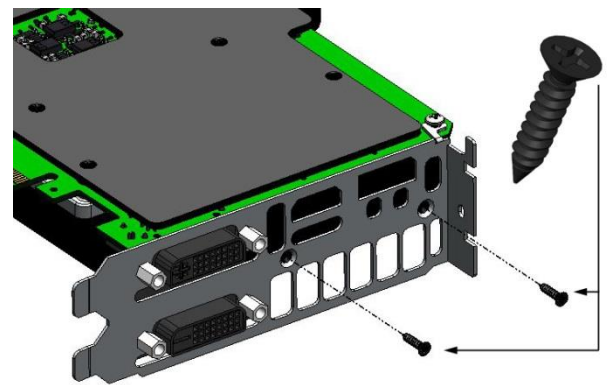
7. Connect the waterblock 2-pin connector to the VGA, and then mate the waterblock to the Card



8. Secure all back-plate fasteners



9. Secure the PCI bracket to the waterblock



INSTALLATION COMPLETE!

You can now secure the provided plugs (G1/4 thread) in the desired port using a 5/8" socket or a flat wrench; make sure to firmly fasten the plugs until they completely bottom out or leaks will ensue.

Tube fittings are not included with the block and provided in option by the Swiftech resellers. Only use fittings with G1/4 male thread.

ALWAYS TEST YOUR BLOCK FOR LEAKS PRIOR TO POWERING UP YOUR SYSTEM!

DISCLAIMER: While all efforts have been made to provide the most comprehensive tutorial possible, Swiftech® assumes no liability expressed or implied for any damage(s) occurring to your components as a result of using Swiftech® cooling products, either due to mistake or omission on our part in the above instructions, or due to failure or defect in the Swiftech® cooling products. In addition, Swiftech™ assumes no liability, expressed or implied, for the use of this product, and more specifically for any, and all damages caused by the use of this product to any other device in a personal computer, whether due to product failure, leak, and electrical short, and or electro-magnetic emissions. **WARRANTY:** Our products are guaranteed for 12 months from the date of delivery to the final user against defects in materials or workmanship. During this period, they will be repaired or have parts replaced provided that: (I) the product is returned to the agent from which it was purchased; (II) the product has been purchased by the end user and not used for hire purposes; (III) the product has not been misused, handled carelessly, or other than in accordance with any instructions provided with respect to its use. This guarantee does not confer rights other than those expressly set out above and does not cover any claims for consequential loss or damage. This guarantee is offered as an extra benefit and does not affect your statutory rights as a consumer.