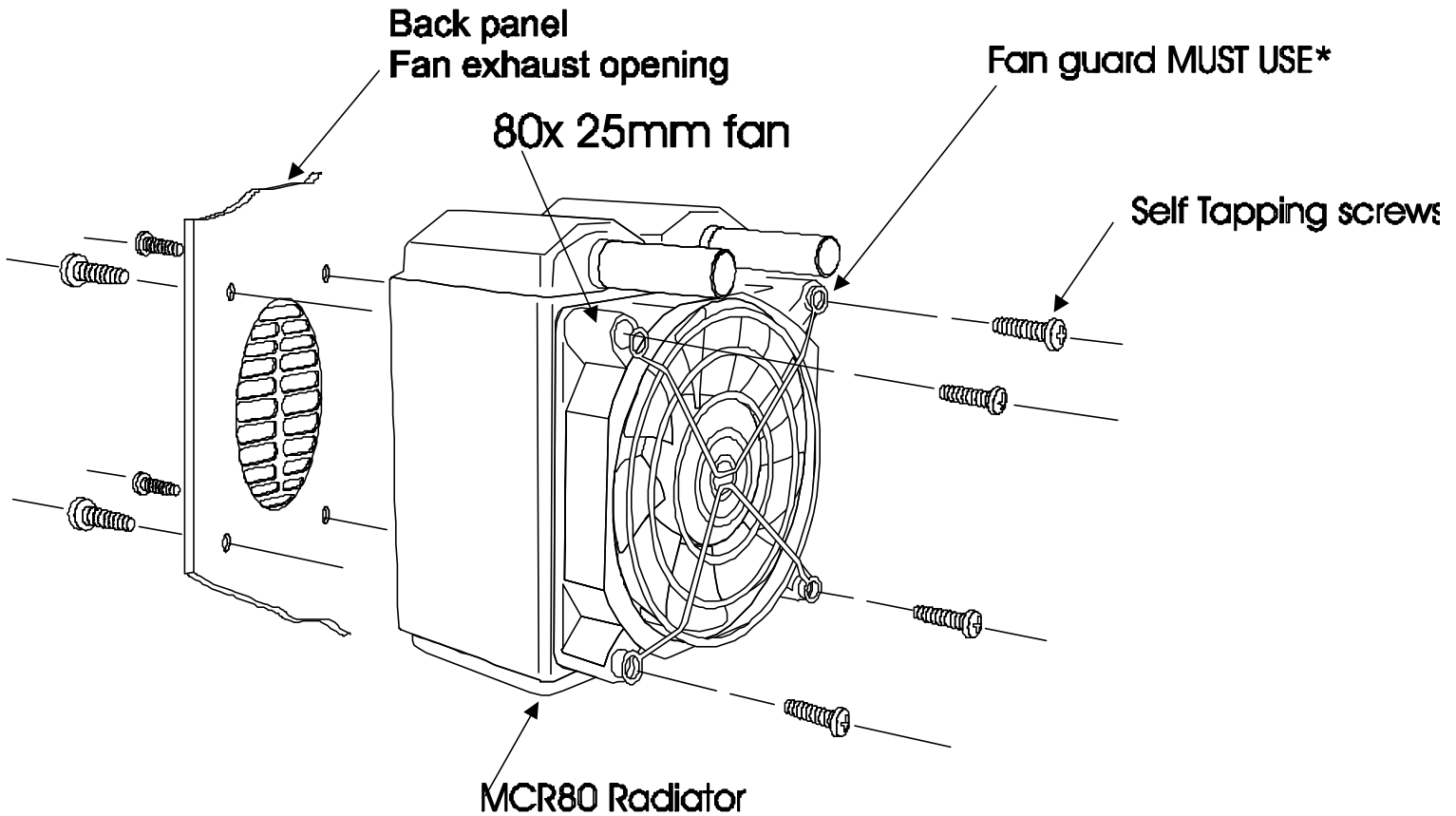




MCR80-F1™ RADIATOR INSTALLATION GUIDE

Packing list

MCR80 radiator	1	80mm fan guard	1
#6 X 1 1/4" Philips screw type B	4	80x80x25mm fan	1
#6 x 3/8" Philips screw type B	4	Worm-drive clamps	2



*Note of caution regarding the inlet/outlet side of the radiator:

The fan guard **MUST BE INSTALLED** when using the provided self-tapping screws. It is necessary to allow sufficient clearance between the tip of the screws and the radiator core. Failure to use the fan guard will systematically result in permanent damage to the radiator, as the screws will otherwise punch a hole in the core channels. Users are advised that such damage is not covered under our warranty.

Likewise, if fans other than the provide 80x80x25mm fans are installed, users should carefully check the clearance remaining between the retention screws and the radiator core.



Electrical connection:

Once the radiator is installed inside the case, the final step is to connect the molex connector to your computer power supply.

Radiator specifications:

- Height: 4.1" (104.8mm); Width: 3.25" (82.5mm); Depth: 3.2" (81.6mm)
- 2-pass 80 mm radiator specifically developed for PC CPU and VGA liquid cooling
- Double-row high internal volume design
- 80 mm (3 inch) Copper core consisting of flat tubes for maximum heat conductivity
- High-density copper fin configuration for enhanced heat dissipation
- Tested in our labs and rated for 100 Watts with a 15°C coolant temperature rise.
- 3/8" OD inlet and outlet for use with 3/8" ID tubing.

Fans specifications:

Each fan:

Part #	Voltage (V)	Current (mA)	Revolution (RPM)	Volume (CFM)	Max Static pressure (InH2O)	Sound Noise (dBA)
AFB0812M	12	180	2700	31.4	.129	28