



MCRES-Micro Rev2 Installation guide

This product is intended for expert users. Please consult with a qualified technician for installation. Improper installation may result in damage to your components. Swiftech assumes no liability whatsoever, expressed or implied, for the use of these products, nor their installation. The following instructions are subject to change without notice. Please visit our web site at www.swiftech.com for updates.

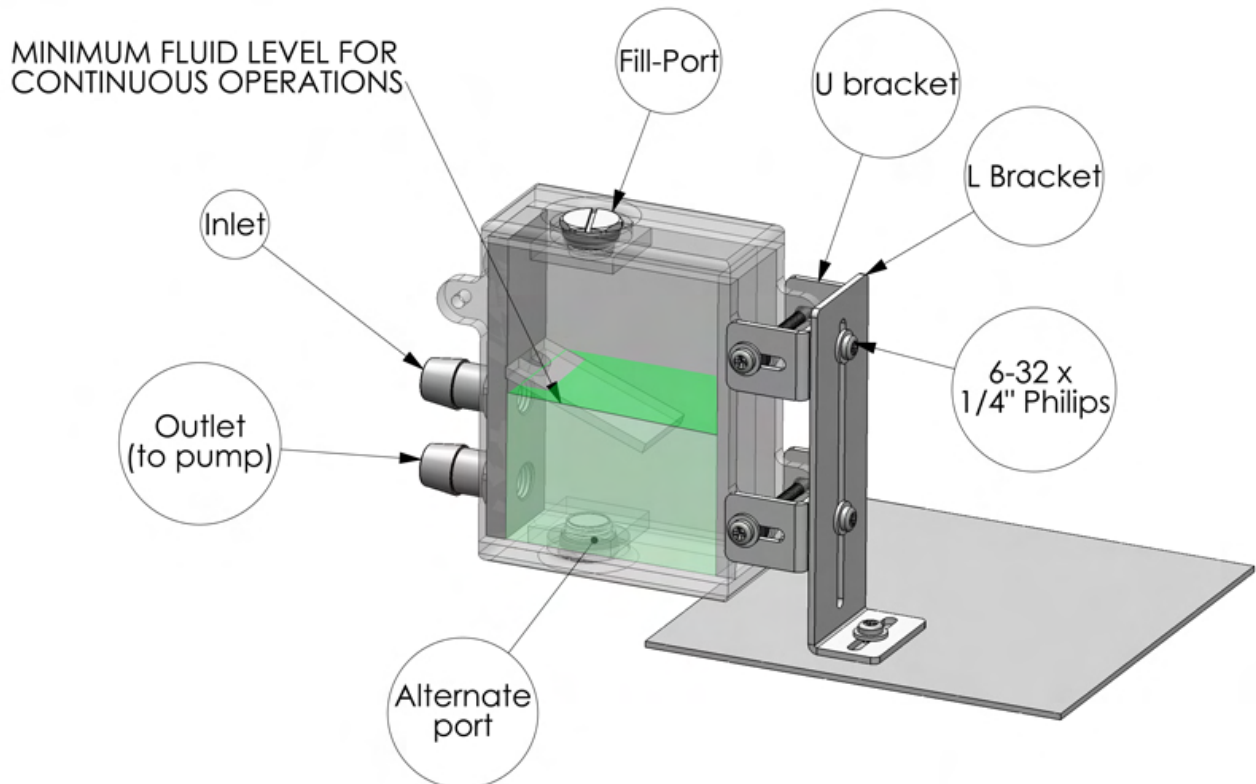


Figure 1

Product Description

The MCRES-MICRO is a small form factor reservoir designed for liquid-cooled personal computers.

The device features four 1/4" NPSM (fully compatible with 1/4" BSPP/G1/4 standard) threaded ports, and is shipped with two sets of nylon hose barbs, 3/8" and 1/2" to accommodate most high-flow systems.

The port usage is defined as follows:

- ❑ Upper side port: "Inlet" as shown in figure 1 is the return line from the system
- ❑ Lower side port: "Outlet (to pump)" shown in figure 1 should always be connected to the pump inlet (directly if possible to facilitate filling of the system)
- ❑ The fill-port located on top of the unit is used to fill it up with coolant, and sealed with a chrome plated brass plug.
- ❑ The alternate port is also sealed with a chrome plated brass plug, and can be used as:
 - An alternate outlet providing a straight tube routing to a pump located underneath
 - To feed a second pump



- To plug-in a temperature sensor
- A drain

Installation

The MCRES-MICRO can be installed in any suitable location meeting its form factor requirements. For filling purposes, it is preferable to install the MCRES-MICRO at the highest point of the liquid cooling loop.

Fastening the device to the case: two mounting methods can be used

- ❑ Various permanent mounts thru the reservoir ears or with the provided mounting hardware as shown page 3.
- ❑ Easy mount, with the provided Velcro strips. Please note that a permanent mount is recommended for a reliable fastening of the device over time.

Recommended coolant, and prohibited fluids

We recommend using distilled water with a 5% (or up to 10%) of Swiftech's HydrX coolant.

Use of alcohols (Alcohol Allyl, Amyl, Benzyl, Ethyl (Ethanol), Isopropyl, Methyl (Methanol), n-Butyl) or antifreeze products containing the listed alcohols is prohibited as it will result in deterioration of the product over-time, and will void your warranty. Resistance to Ethylene and Methylene glycol used in antifreeze products is excellent.

Minimum Operating Level is situated at the Swiftech Logo (approximately 1/2" of the reservoir). The reservoir should not be operated below this level, which could result in degradation of the system cooling

OPTIONAL COMPANION PRODUCTS

This high-polish chrome plated brass 1/2" barb fitting is specially designed to fit inside of the upper fill-port when using the remote fill-port fittings described to the right, and/or to the alternate port for various applications.



1/4" BSPP-1/2" RPF



1/2" RFP-AL
Black anodized
aluminum body



1/2" RFP-CPB
High polish
chrome plated
brass body

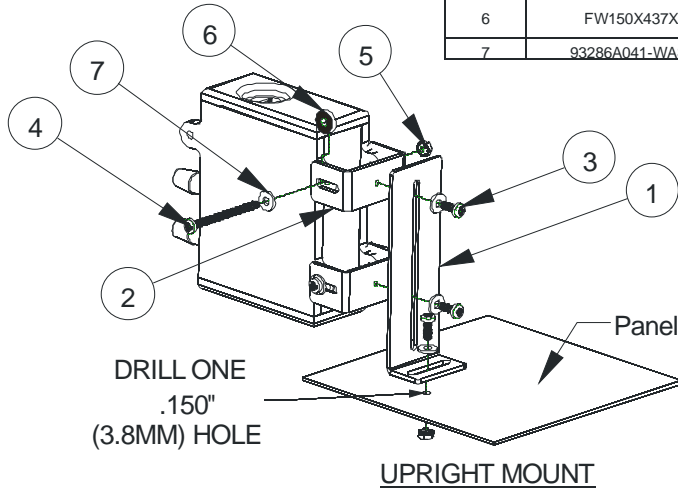
These panel-mount 1/2" remote fill-port fitting allows users to fill-up or refill their system from outside of the PC, or alternatively be used as a drain; the fitting connects with 1/2" tubing to either the MCRES Micro Res port barb fitting or to a T-Line.

Two models are available, black anodized aluminum body, or high polish chrome plated brass body.

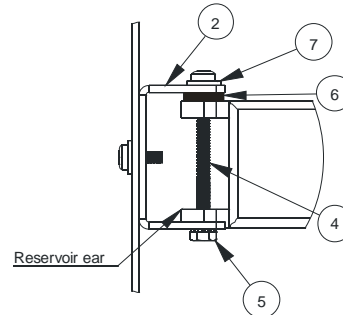


MCRes Micro Bracketry installation and examples

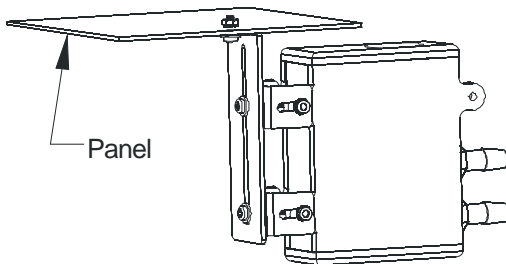
ITEM NO.	PART NUMBER	DESCRIPTION	QTY
1	BCKT1	"L" bracket	1
2	BCKT2	"U" bracket	2
3	90272A146-6-32x3-8-philips	6-32 x 3/8" Philips screw	3
4	91772A158-6-32X1.75	6-32 x 1 3/4" Philips screw	2
5	90760A007	6-32 Nut w/teeth washer	3
6	FW150X437X092	Rubber Washer 437X150X092	2
7	93286A041-WASHER	zinc plated washer	5



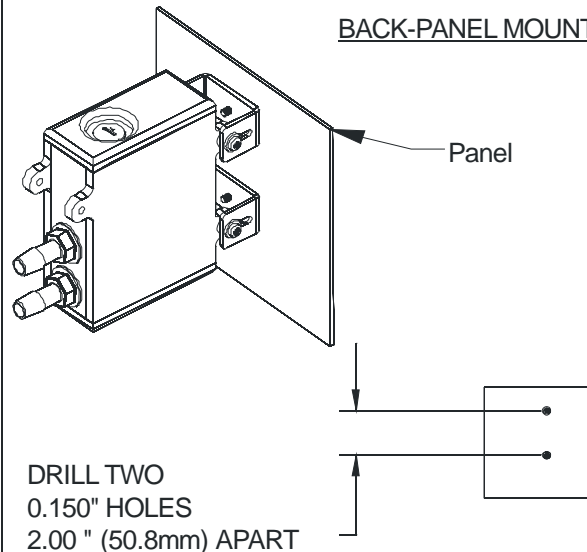
Note 1: rubber washer 6 should be inserted between either side of the reservoir ear and the U bracket 2.



HANGING MOUNT



BACK-PANEL MOUNT



DRILL TWO
0.150" HOLES
2.00 " (50.8mm) APART

Note 2: the 6-32 x 1 3/4" screw #4 & nut # 5 assembly is designed to protrude as little as possible in order to reduce overall clearance necessary for the Micro Res assembly. It is thus necessary to slightly push the nut in order to engage it on the screw thread.

IMPORTANT DISCLOSURES

While all efforts have been made to provide the most comprehensive tutorial possible, Swiftech assumes no liability expressed or implied for any damage(s) occurring to your components as a result of using Swiftech cooling products, either due to mistake or omission on our part in the above instructions, or due to failure or defect in the Swiftech cooling products. **WARRANTY** Our products are guaranteed for 12 months from the date of delivery to the final user against defects in materials or workmanship. During this period, they will be repaired or have parts replaced provided that: (I) the product is returned to the agent from which it was purchased; (II) the product has been purchased by the end user and not used for hire purposes; (III) the product has not been **misused**, handled carelessly, or other than in accordance with any instructions provided with respect to its use. This guarantee does not confer rights other than those expressly set out above and does not cover any claims for consequential loss or damage. This guarantee is offered as an extra benefit and does not affect your statutory rights as a consumer.