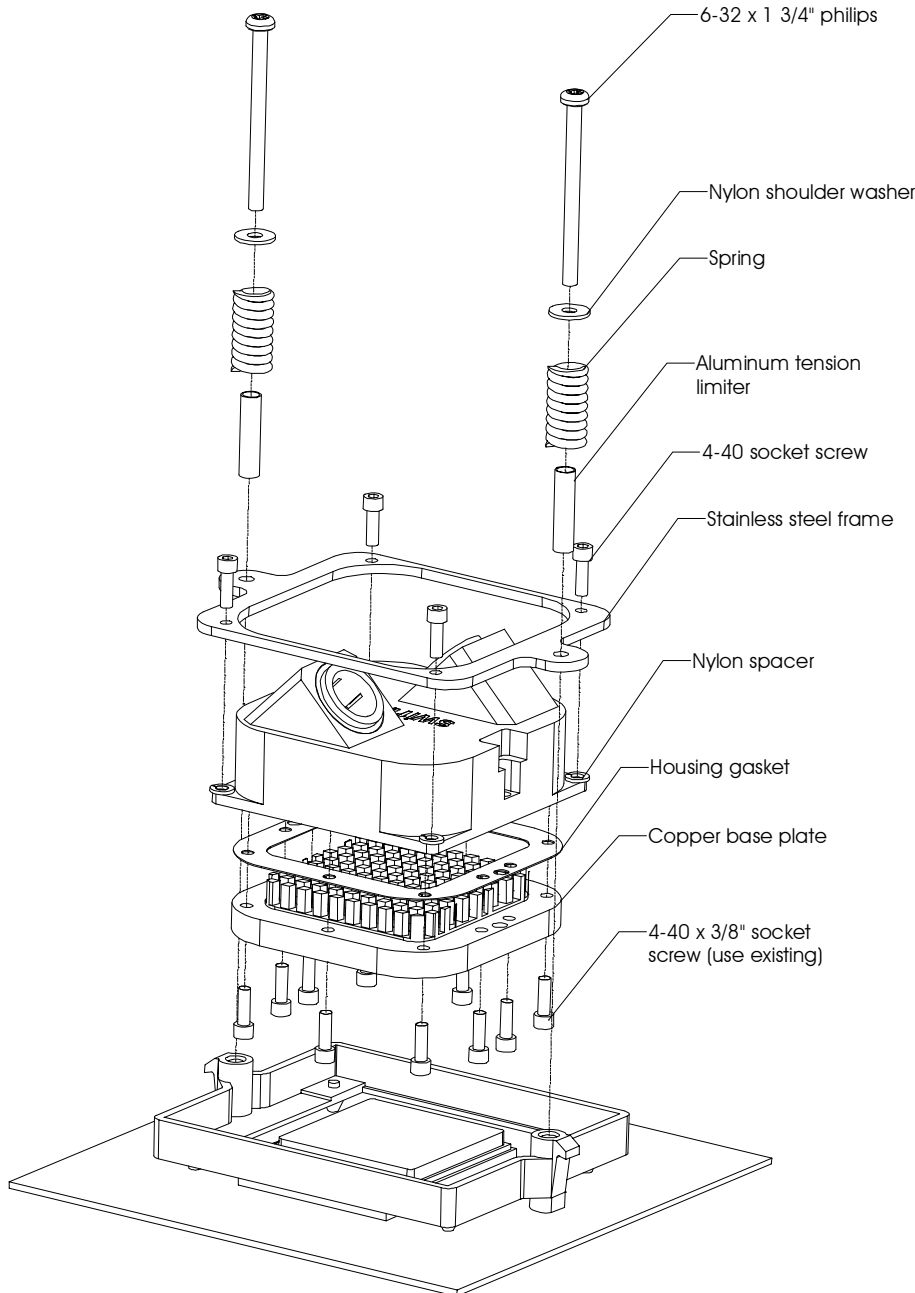


MCW5000-64RH™ UPGRADE KIT INSTALLATION SCHEMATIC

Parts list

Parts	QTY	PARTS	QTY
MCW5000-64™ base plate	1	Aluminum tension limiter	2
6-32 x 1 3/4" Philips screw	2	Springs	2
Nylon shoulder washers	2	Arctic Alumina Thermal compound	1
4-40 socket screws	4	Hex wrench	1
MCW5000 replacement gasket	1	Stainless steel frame	1
		Nylon spacers	2

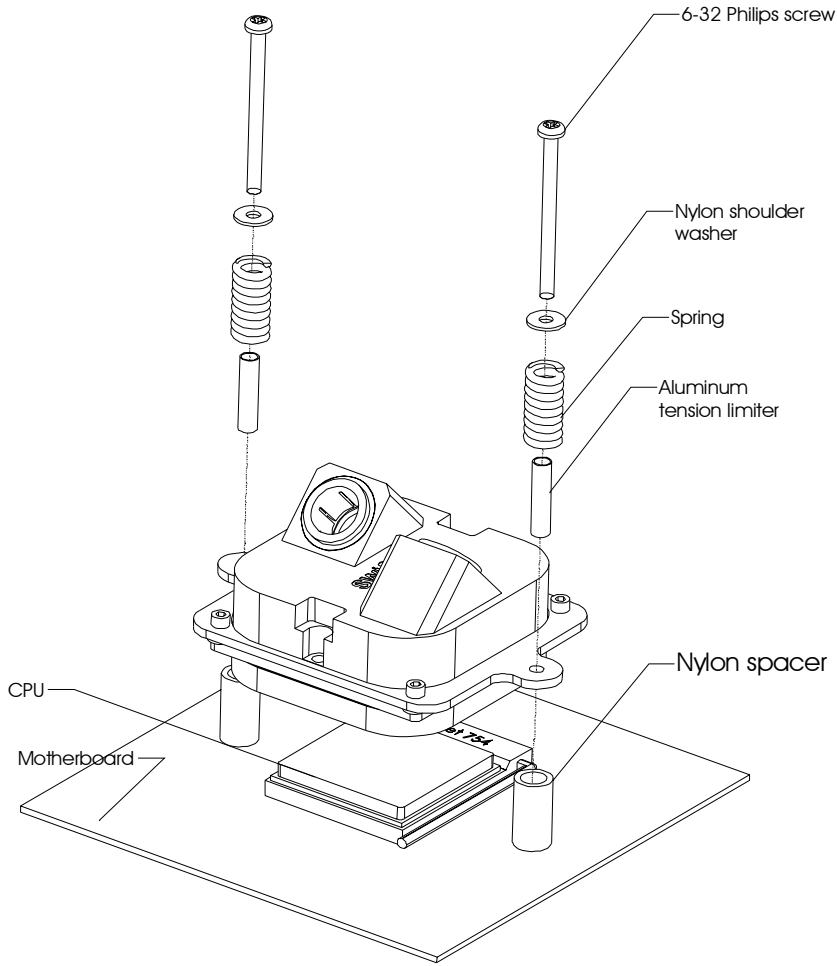
This product is intended for expert users. Please consult with a qualified technician for installation. Improper installation may result in damage to your components. Swiftech assumes no liability whatsoever, expressed or implied, for the use of these products, nor their installation. The following instructions are subject to change without notice. Please visit our web site at www.swiftnets.com for updates.



MCW5000-64™ water-block installation diagram

Method 1:

The MCW5000-64 water-block bolts onto AMD's validated plastic retention frame with two screw spring assemblies. Please use the retention frame provided by your motherboard vendor. Remove the two existing screws that hold the frame in place, place the water-block assembly onto the CPU, and use these two holes to bolt down the spring assemblies, as shown in figure 6, page 2. Each spring assembly features an aluminum spacer acting as a tension limiter. It's main purpose is to guarantee that each springs is compressed to the exact same amount of tension (35lbs each).



Method 2:

It is also possible to **install the MCW5000-64 without the stock plastic retention frame.** However, you **MUST** then use the nylon spacers provided with your accessories package as shown in figure 7, page 2. These are necessary to replace the stock plastic retention frame and to provide support to the entire assembly