

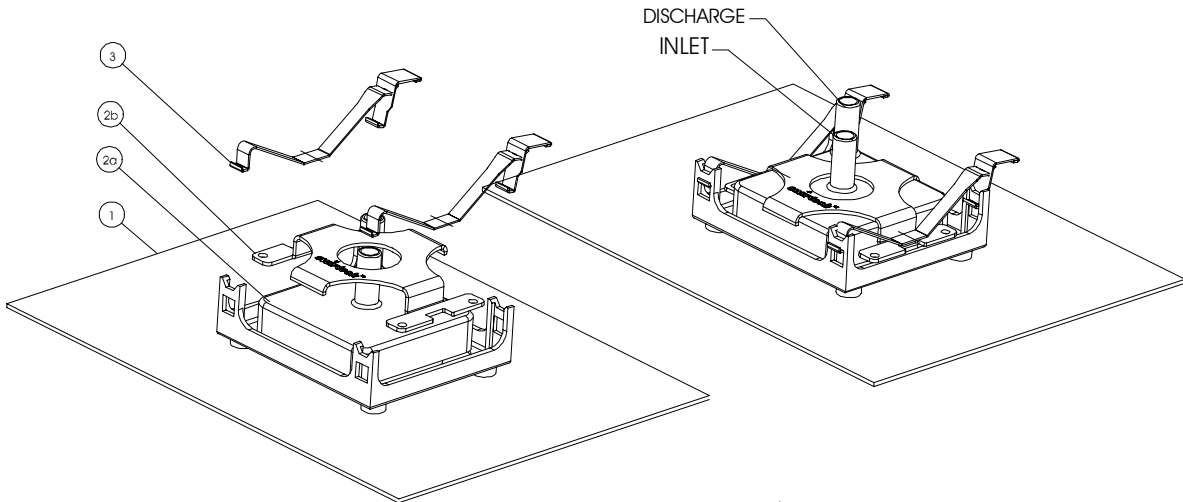
# MCW6000 & 6002 SERIES WATER-BLOCKS

## INSTALLATION GUIDE FOR INTEL® PENTIUM™ 4 PROCESSORS

### Parts list

Parts		PARTS	QTY
MCW6000 or 6002-P™ water-block	1	Retention clips	2
Worm drive clamps	2	SP4 hold-down plate	1
C�eramique thermal compound	1		

This product is intended for expert users. Please consult with a qualified technician for installation. Improper installation may result in damage to your components. Swiftech assumes no liability whatsoever, expressed or implied, for the use of these products, nor their installation. The following instructions are subject to change without notice. Please visit our web site at [www.swiftnets.com](http://www.swiftnets.com) for updates.



ITEM NO.	QTY.	PART NO.	DESCRIPTION
1	1	S478	Intel Pentium 4 socket 478 motherboard and processor
2	1	MCW6000-P-with-bracket	MCW6000-P water-block assembly
	a	MCW6000-FLAT	MCW6000 waterblock flat base
	b	SP4-Bckt	SP4 Hold-down plate for Intel Pentium 4 and Xeon
3	2	SC478	Pentium 4 spring clip

### 1. Preparing your Motherboard

- Remove the existing heat sink and carefully clean the CPU.
- Apply thermal compound: lightly coat the CPU with the provided C eramique™ thermal compound. Follow this link [http://www.arcticsilver.com/ceramique\\_instructions.htm](http://www.arcticsilver.com/ceramique_instructions.htm) for detailed instructions.



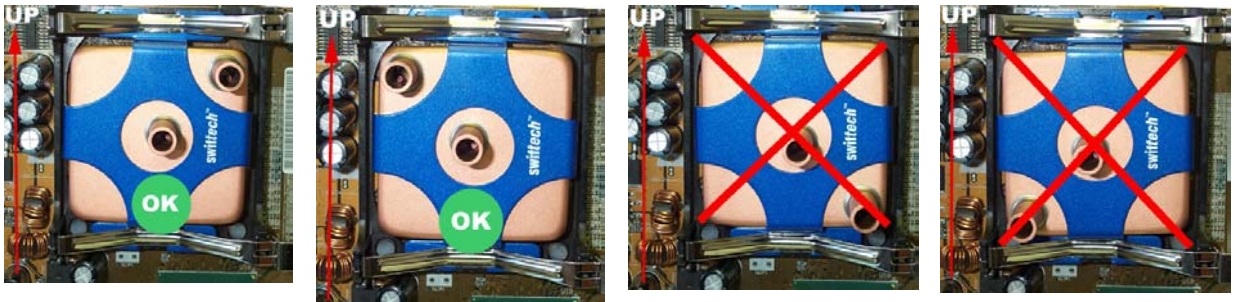
Rub some compound in base of water-block first, and then clean off with lint-free cloth



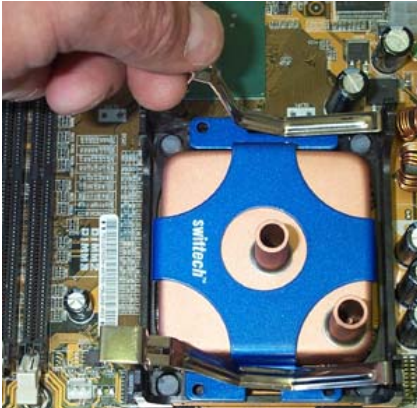
Apply small amount of compound on the CPU heat spreader

### 2. Water-block orientation

For ease of operations during bleeding, the outlet should always be at the highest point (while system is standing upright):

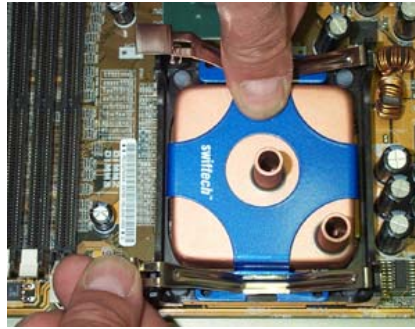


### 3. Water-block installation



Step 1

Center the water-block inside the retention frame. Put both clips in place for the next step, by simply slipping the hook of each clip into the holes of the retention frame.



Step 2

While maintaining the opposite side of the block to prevent it from tipping over, push down on the clips' thumb-tab until the hook catches the hole in the retention frame.



Step 3

Keep maintaining pressure on the block to prevent it from tipping over, and hook-down the second clip. **Installation is complete!**

### 4. Connecting the water-block(s) to the cooling circuit:

Carefully identify the direction of the flow in your circuit. For the MCW6000 to operate properly, the fitting located at the center of the water-block **MUST BE USED AS THE INLET**.

### 5. Attaching the tubes:

The MCW6000™ series ship with worm-drive type hose clamps. Secure the tubes as shown in the picture to the right (shown below with an AMD bracket), and tighten **firmly**.



Tubes attached with the included worm-drive clamps

### 6. Type of Coolant:

Being entirely made of copper, the MCW6000™ series may be used with pure water, and do not necessitate the use of anti-corrosion agents. The use of an algacide is nonetheless recommended in any liquid cooling system, and our HydrX™ additive also performs such function.

### 7. Final inspection

Once the installation is completed, it is always a good idea to test the circuit for leaks, prior to powering up the computer. **Do not test the water-block using city water pressure.** This will bow the top of the housing and render the block unusable (and will void your warranty). **Maximum pressure allowable for testing is 25 psi (1.7 bar)**

Troubleshooting help is available on our web site at [www.swiftnets.com](http://www.swiftnets.com), or by calling customer support at 562-595-8009.

#### IMPORTANT DISCLOSURES

While all efforts have been made to provide the most comprehensive tutorial possible, Swiftech assumes no liability expressed or implied for any damage(s) occurring to your components as a result of using Swiftech cooling products, either due to mistake or omission on our part in the above instructions, or due to failure or defect in the Swiftech cooling products.

#### WARRANTY

Our products are guaranteed for 12 months from the date of delivery to the final user against defects in materials or workmanship. During this period, they will be repaired or have parts replaced provided that: (I) the product is returned to the agent from which it was purchased; (II) the product has been purchased by the end user and not used for hire purposes; (III) the product has not been **misused**, handled carelessly, or other than in accordance with any instructions provided with respect to its use. This guarantee does not confer rights other than those expressly set out above and does not cover any claims for consequential loss or damage. This guarantee is offered as an extra benefit and does not affect your statutory rights as a consumer.