

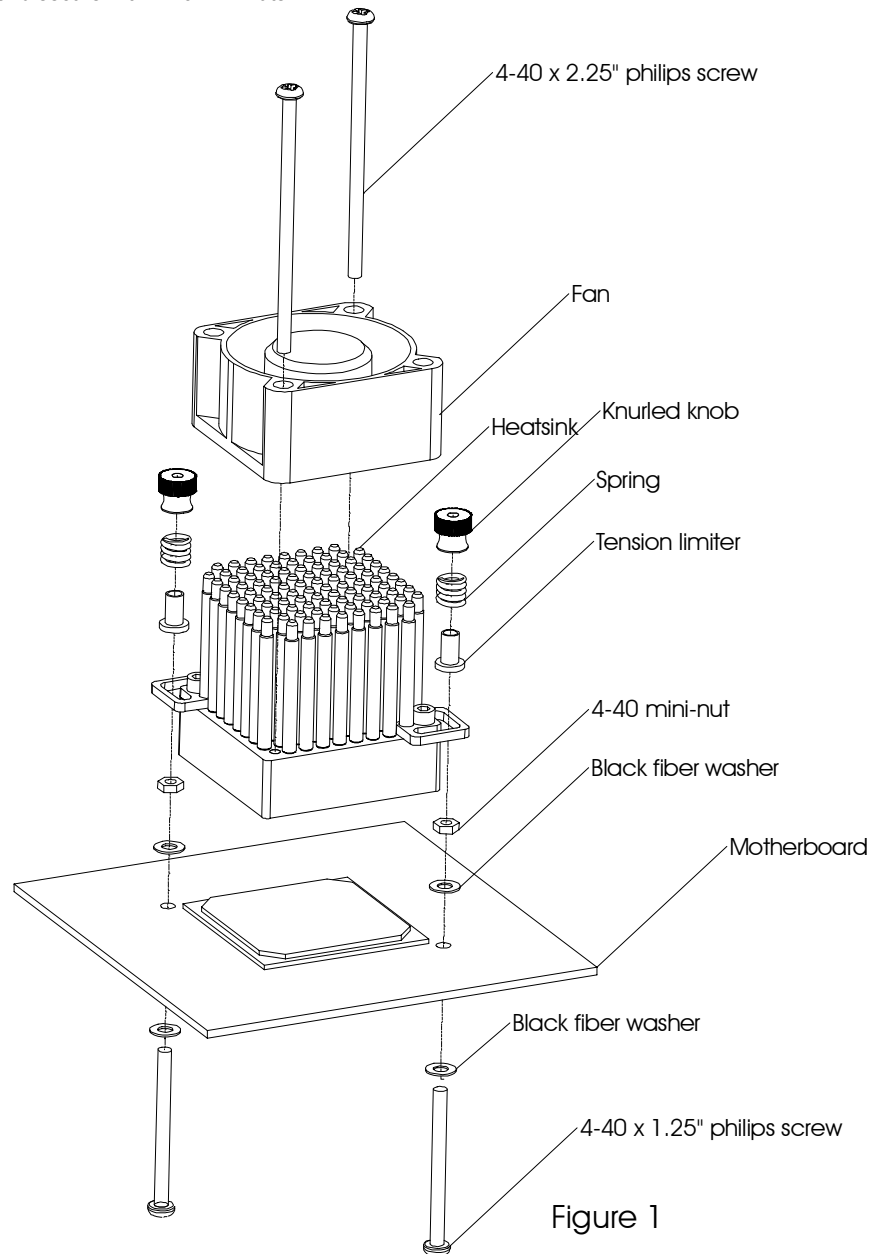
# MCX159-A™ Heatsink Fan AMD® Platforms Installation Guide

## Packing list

Parts	Qty	Parts	Qty
Heat Sink	1	4-40 x 1.25" Philips screws	2
40mm fan	1	4-40 mini nuts	2
4-40 x 2.25" Philips screws	2	Knurled knob	2
Black fiber washers	6	Thermal grease – Arctic Alumina	1
Nylon tension limiter	2	Spring	2

### I. Heat sink Installation

1. Installation necessitates removal of the motherboard from the chassis.
2. Follow Figure 1 below to install the retention rods: install two 4-40 x 1.25" Philips screws with fiber washers on either side of the motherboard, and secure with 4-40 mini-nuts.



3. Lightly coat the processor core with the provided Arctic Alumina® thermal compound. **Only a paper-thin coat is necessary!** It should be applied using preferably a razor blade, or a credit card, held between thumb and index at a 45° angle.
4. Install the heatsink fan onto the processor. Secure with provided hardware exactly as shown on figure 1.  
Warning: do not over-tighten the knurled knobs; the nylon tension limiters are provided to restrict the amount of tension onto the springs.
5. Connect the fan to any motherboard 3-pin power connector.

## Installation is complete!

### IMPORTANT DISCLAIMER

While all efforts have been made to provide the most comprehensive tutorial possible, Swiftech assumes no liability expressed or implied for any damage(s) occurring to your components as a result of using Swiftech cooling products, either due to mistake or omission on our part in the above instructions, or due to failure or defect in the Swiftech cooling products.

### WARRANTY

Our products are guaranteed for 12 months from the date of delivery to the final user against defects in materials or workmanship. During this period, they will be repaired or have parts replaced provided that: (I) the product is returned to the agent from which it was purchased; (II) the product has been purchased by the end user and not used for hire purposes; (III) the product has not been **misused** (\*), handled carelessly, or other than in accordance with any instructions provided with respect to its use. This guarantee does not confer rights other than those expressly set out above and does not cover any claims for consequential loss or damage. This guarantee is offered as an extra benefit and does not affect your statutory rights as a consumer.