

MCX159-R™ Heatsink fan Installation Guide

Packing list

Parts	Qty	Parts specific to AMD installations	Qty	Parts specific to AMD installations	
Heat Sink	1	AMD Brackets	2	Black fiber washers	6
40mm fan & screws	1	4-40 x 3/16" socket screws	2	4-40 mini-nuts	2
Wire-Spring – PRE-INSTALLED	1	4-40 x 1 1/4" Philips screws	2	Knurled knobs	2
Thermal grease – Arctic Alumina	1	Nylon tensions limiters	2	Springs	2
Neoprene pads (strip of 4)	1	Hex wrench	1		

CAUTION! The MCX159-R as shipped is configured for direct installation to Intel® platforms. For installation with AMD® platforms, an adapter kit is provided and necessitates removal of the pre-installed wire spring. See chapter 2 for details.

1. Heatsink fan Installation for Intel® Platforms

- Installation does **not** necessitate removal of the motherboard from the chassis.
- Remove the existing heatsink and carefully clean the microprocessor with alcohol
- Lightly coat the processor core with the provided Arctic Alumina® thermal compound. **Only a paper-thin coat is necessary!** It should be applied using preferably a razor blade, or a credit card, held between thumb and index at a 45° angle.

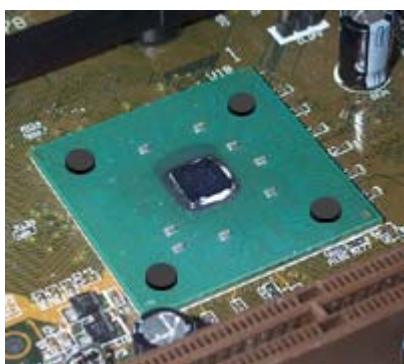


Figure 1

- Install the provided neoprene pads onto the processor as shown above

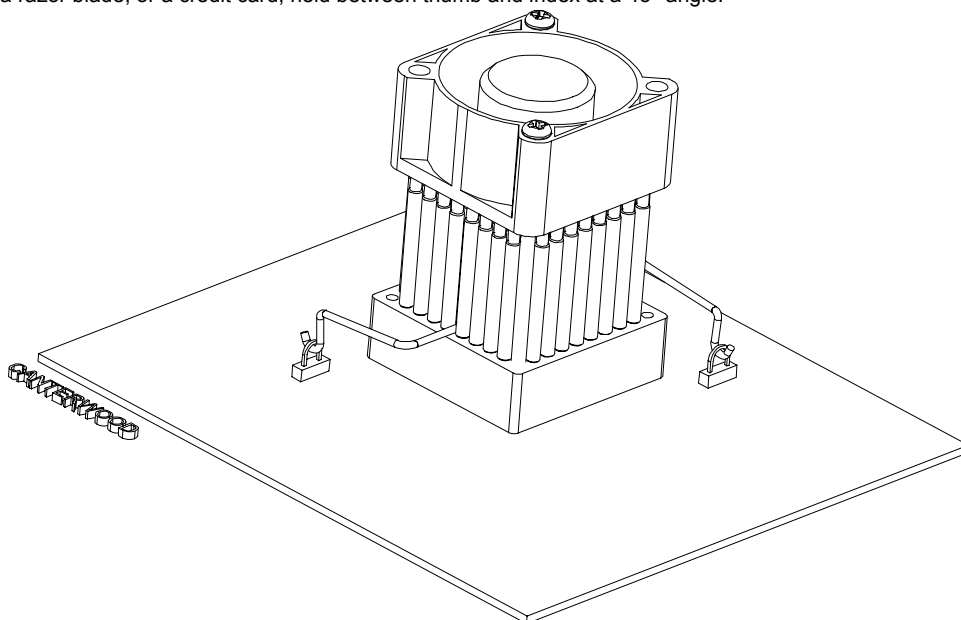


Figure 2

- Install the heatsink fan onto the processor as shown above by simply engaging one end of the hook into a motherboard retention loop then engaging the opposite hook. Make sure that the heatsink is centered between the two arms of the wire-spring.
- Connect the fan to any motherboard 3-pin power connector.

Installation is complete!

2. Heatsink fan installation for AMD® platforms

- Remove the fan by unscrewing the two Philips screws.
- Disengage the wire spring from the center row of pins by alternatively pulling up one side at a time as shown to the right:
- Install the retention brackets, by sliding them down over the two corner pins adjacent to the most widely spaced diagonal 4-40 holes as shown Figure 5 page 2.



Figure 3

Pull-up...



Figure 4

..Then rotate the heatsink and pull-up the other side

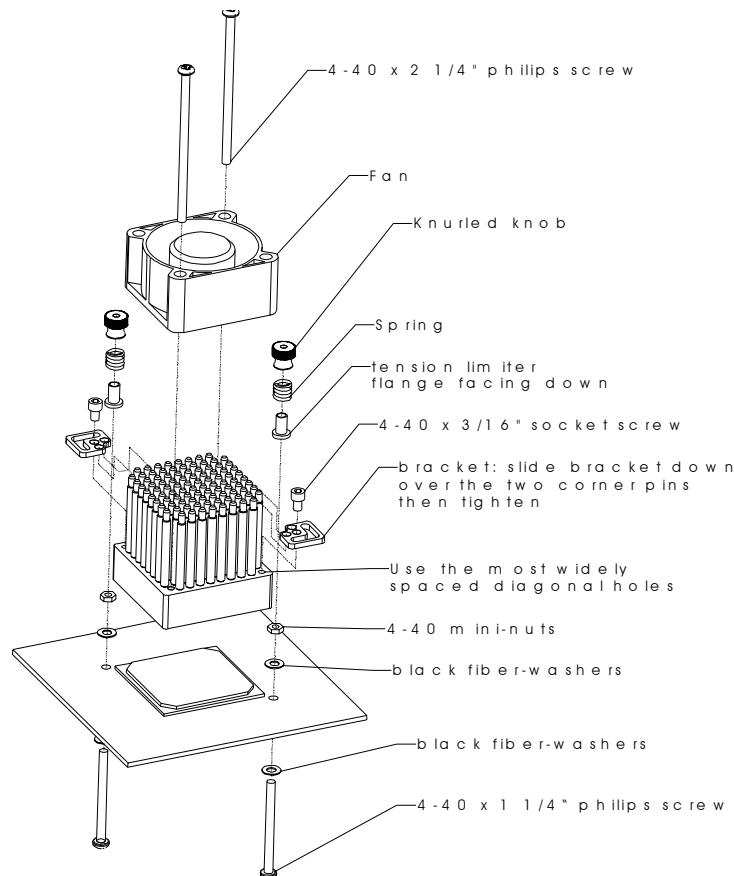


Figure 5

- ❑ Installation of the retention rods **necessitates** removal of the motherboard from the chassis.
- ❑ Follow Figure 5 to install the retention rods: install two 4-40 x 1.25" Philips screws with fiber washers on both sides of the motherboard, and secure the rods with the provided 4-40 mini-nuts.
- ❑ Re-install the motherboard into chassis.
- ❑ Lightly coat the processor core with the provided Arctic Alumina® thermal compound. **Only a paper-thin coat is necessary!** It should be applied using preferably a razor blade, or a credit card, held between thumb and index at a 45° angle.
- ❑ **Neoprene pads** should not be used with processors protected by a heat spreader, such as shown in figure 6. They should only be used if the core (silicone) is exposed, such as shown in figure 1.
Slide down the heatsink over the retention rods, then install the nylon tension limiters (flange facing down), the springs, and tighten the assembly with the knurled knobs. Over tightening of the assembly is prevented by the tension limiter. Users should be cautious nonetheless, as nylon can be easily crushed.
- ❑ Connect the fan to any motherboard 3-pin power connector.

Installation is complete!



Figure 6

IMPORTANT DISCLAIMER: While all efforts have been made to provide the most comprehensive tutorial possible, Swiftech assumes no liability expressed or implied for any damage(s) occurring to your components as a result of using Swiftech cooling products, either due to mistake or omission on our part in the above instructions, or due to failure or defect in the Swiftech cooling products.

WARRANTY: Our products are guaranteed for 12 months from the date of delivery to the final user against defects in materials or workmanship. During this period, they will be repaired or have parts replaced provided that: (I) the product is returned to the agent from which it was purchased; (II) the product has been purchased by the end user and not used for hire purposes; (III) the product has not been **misused** (*), handled carelessly, or other than in accordance with any instructions provided with respect to its use. This guarantee does not confer rights other than those expressly set out above and does not cover any claims for consequential loss or damage. This guarantee is offered as an extra benefit and does not affect your statutory rights as a consumer.