

MCX478-V™ Heatsink

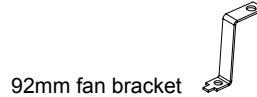
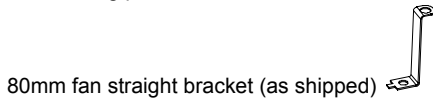
Intel® Pentium® 4 Installation Guide

Packing list

Parts	Qty	Parts	Qty
Heat Sink	1	80mm fan straight brackets - pre-installed	4
Spring clips	2	Snap-rivets (for fan installation)	4
92mm fan brackets	4	Thermal grease – Céramique	1

I. Heat sink Installation

1. **The case should** be laying flat on a table. Remove the existing heatsink.
2. **Clean up** the processor surface with alcohol, and lightly coat it with the provided Céramique © thermal compound. Detailed instructions can be found at http://www.arcticsilver.com/ceramique_instructions.htm
3. The MCX478-V heatsink ships with 80mm fan brackets pre-installed. You will need to remove them, and install the included 92mm brackets if you plan on using a 92mm fan. Use a thin screwdriver to remove and install the brackets, so as to not damage the surrounding pins.



AIRFLOW DIRECTION

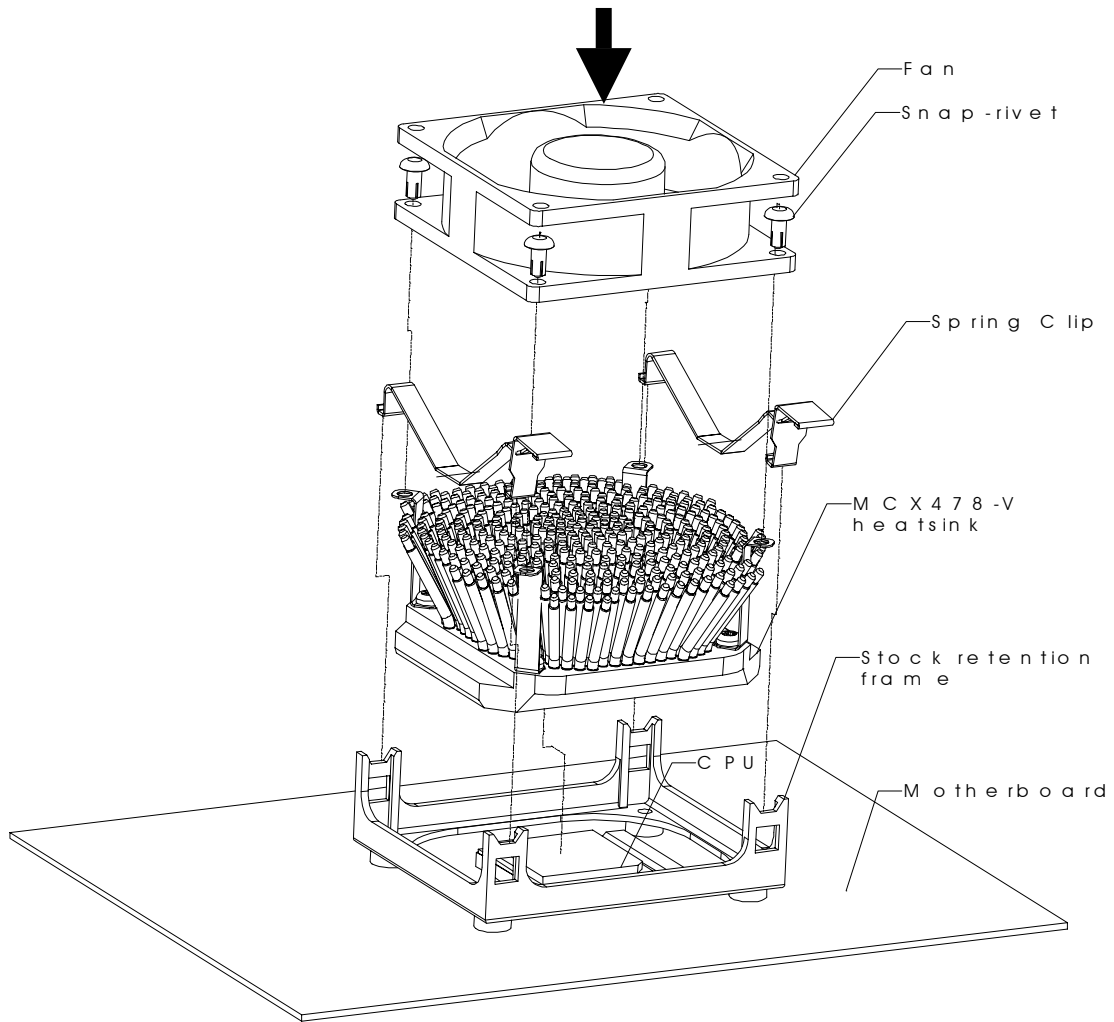


Figure 1

4. Position the heatsink inside the retention frame as shown figure 1. Engage the end of each spring clip into the holes of the retention frame posts. **While holding down the opposite side of the heatsink to prevent it from tilting**, push down on the first spring clip's thumb bracket to engage the other end. Then do the same with the second clip. The heatsink is now securely attached to the retention frame. Verify that the spring clips are sitting flat on the heatsink steps, and that the edge of the clip is adjacent to the edge of the heatsink. Please note for installation of the heatsink with a 92mm fan.
5. **Fan installation:**
Place the fan atop the heatsink, and use the provided snap rivets to secure it to the fan brackets, as shown figure 1.
5. **Recommended fans**
Please consult our web site at <http://www.swiftnets.com/products/MCX462-V.asp> for an updated list of recommended fans.

Note concerning installation with 92mm fan brackets:

Because of the limited clearance available when using 92mm fan brackets, installation of the spring clips requires that the clip be engaged in the posts at an angle instead of straight down, so that the spring clip's thumb bracket will clear the upper leg of the fan bracket. As this procedure may be problematic to some users, an alternative way to install the spring clips is to simply remove the two 92mm fan brackets on one side, install the spring clips, and then re-install the fan brackets.

III. Final inspection

Now that the heatsink is installed, startup your computer, go into the BIOS and observe the CPU temperature. CPU temperature is completely dependant on ambient temperature inside the case, type of fan used, and processor frequency. At the lowest air flow level, the MCX478-V heatsink should never exceed Intel's specifications as defined here: <http://developer.intel.com/design/Pentium4/guides/> In all cases, and irrespective of any of the factors listed above, processor temperature should never exceed 65°C as you monitor the temperature in the Bios. If it does, shut down the computer immediately, and review your entire installation. Troubleshooting help is available on our web site at www.swiftnets.com, or by calling customer support at 562-595-8009.

DISCLAIMER: Swiftech assumes no liability whatsoever, expressed or implied, for the use of these products.