

# MCX6400-V™ Heatsink AMD® Installation Guide

## Packing list

Parts	Qty	Parts	Qty
Heat Sink	1	80mm fan straight brackets	4
Spring loaded screw assemblies	2	Snap-rivets (for fan installation)	4
Nylon spacers	2	Thermal grease – Céramique	1

### I. Heat sink Installation

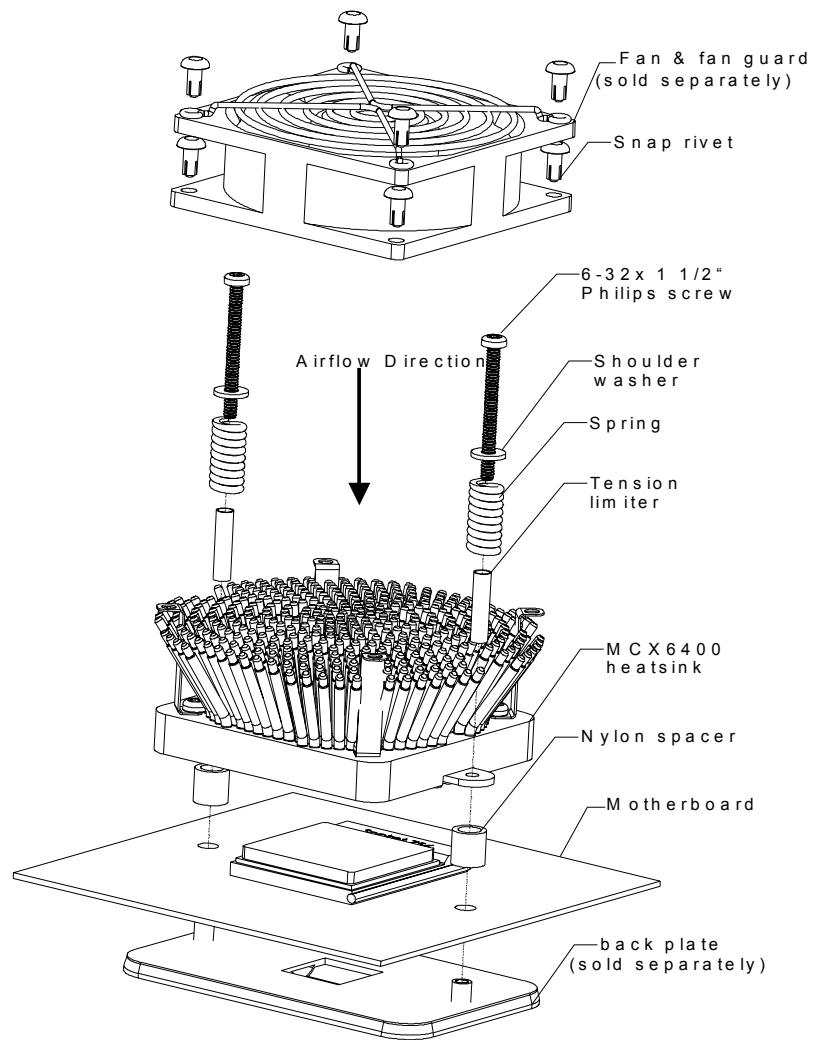
1. **The case should** be laying flat on a table.
2. Lightly coat the CPU with the provided Céramique™ thermal compound. Detailed instructions can be found at [http://www.arcticsilver.com/ceramique\\_instructions.htm](http://www.arcticsilver.com/ceramique_instructions.htm)



Rub some compound in base of water-block first, and then clean off with lint-free cloth.



Apply small amount of compound on the CPU heat spreader



**Figure 1**

3. **Heatsink installation**

Simply place the heatsink onto the processor as shown in Figure 1, page 1, and **gradually** tighten the spring loaded screws: Tighten one side a few turns, then switch to the other side and tighten a few turns, and continue this procedure until full tension has been reached. A note of caution: always use the provided nylon spacers to install the heatsink.

Backing plate: Because a majority of motherboard manufacturers already include the backing plate with their offerings, and in an effort to spare this cost to the majority of users, Swiftech does not include the backing plate with the MCX6400-V™ heatsink. This item is nonetheless offered as an option under part # AJ00264, and is shown below. When using the backing-plate shipped with their motherboard, users are advised to inspect it, and to note that a metallic backing-plate featuring threaded standoffs is required.



4. **Fan installation:**

Use the provided snap-rivets as shown in the page 1 schematic.

5. **Recommended fans**

Please consult our web site at <http://www.swiftnets.com/products/MCX6400-V.asp> for an updated list of recommended fans.

**III. Final inspection**

Now that the heat sink is installed, startup your computer, go into the BIOS and observe the CPU temperature. CPU temperature is completely dependant on ambient temperature inside the case, type of fan used, and processor frequency. At the lowest air flow level, the MCX6400-V heatsink should never exceed AMD's specifications, as defined in the link below:

[http://www.amd.com/us-en/assets/content\\_type/white\\_papers\\_and\\_tech\\_docs/30430.pdf](http://www.amd.com/us-en/assets/content_type/white_papers_and_tech_docs/30430.pdf)

In all cases, and irrespective of any of the factors listed above, processor temperature should never exceed 65°C as you monitor the temperature in the Bios. If it does, shut down the computer immediately, and review your entire installation. Troubleshooting help is available on our web site at [www.swiftnets.com](http://www.swiftnets.com), or by calling customer support at 562-595-8009.

**IMPORTANT DISCLOSURES**

While all efforts have been made to provide the most comprehensive tutorial possible, Swiftech assumes no liability expressed or implied for any consequential damage(s) occurring to your components as a result of using Swiftech cooling products, either due to mistake or omission on our part in the above instructions, or due to failure or defect in the Swiftech cooling products.

**WARRANTY**

Our products are guaranteed for 12 months from the date of delivery to the final user against defects in materials or workmanship. During this period, they will be repaired or have parts replaced provided that: (I) the product is returned to the agent from which it was purchased; (II) the product has been purchased by the end user and not used for hire purposes; (III) the product has not been **misused** (\*), handled carelessly, or other than in accordance with any instructions provided with respect to its use. This guarantee does not confer rights other than those expressly set out above and does not cover any claims for consequential loss or damage. This guarantee is offered as an extra benefit and does not affect your statutory rights as a consumer.