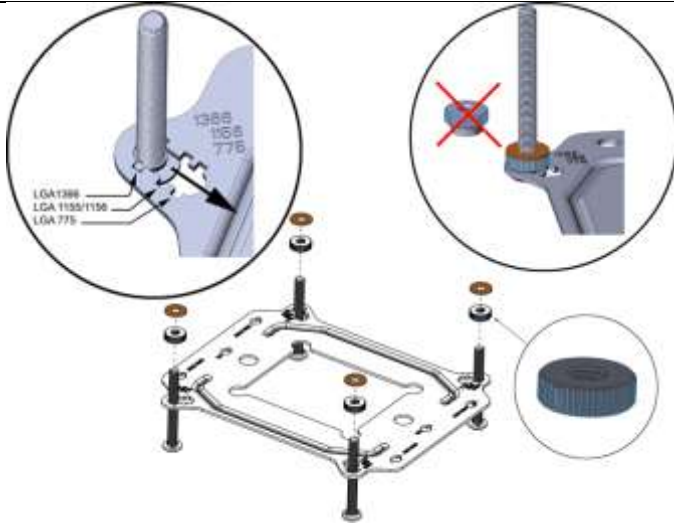


POLARIS HEATSINK

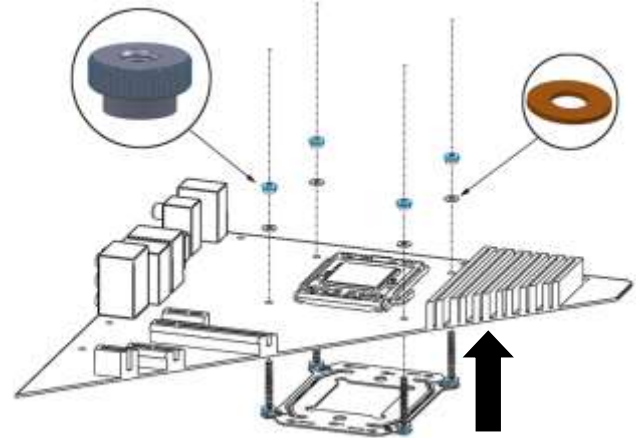


INSTALLATION GUIDE FOR INTEL® PROCESSORS



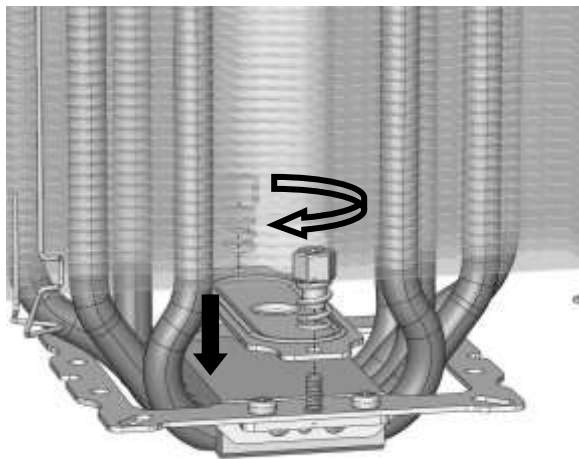
1. Back-plate assembly

Insert the four threaded posts in the slotted holes marked 1366/1156/775, and align them at the location corresponding to your motherboard socket. Fasten the posts to the back-plate using the provided knurled-nuts, and then place an insulating washer over each nut. **Important note:** be careful not to use the provided thumb-nuts, as they are thicker and would offset the black-plate too far from the motherboard.



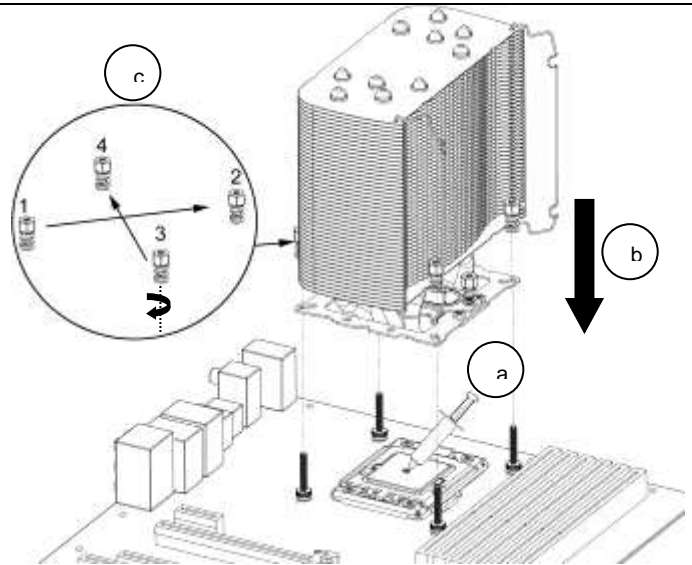
2. Back-plate installation to the motherboard

Mate the back-plate to the back of the motherboard, insert the insulating washers onto each post, and then fasten the back-plate using the provided thumb-nuts.



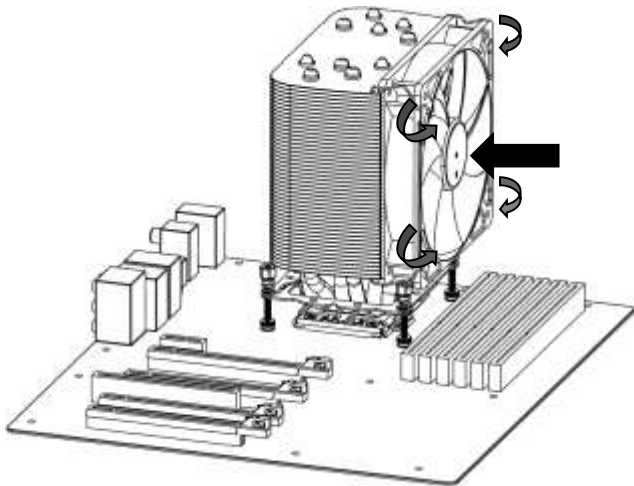
3. Heatsink assembly

Fasten the cross-bar to the heatsink with its center nipple facing down by using two of the provided spring loaded screws.



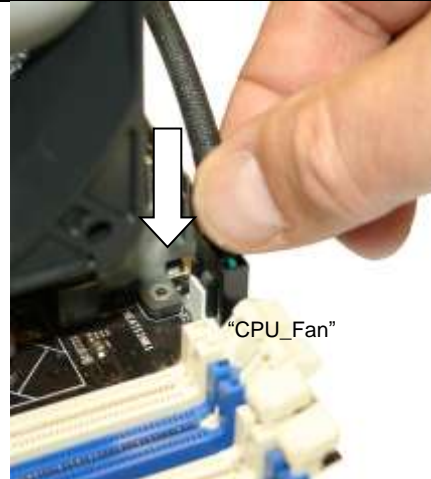
4. Heatsink installation to the motherboard

- a. Clean the CPU with a degreaser (preferably formulated for electronics) then apply a small amount of the supplied grease to the center of the CPU.
- b. Orient the heatsink so that the hot air generated by the fan will blow in the direction of a chassis exhaust fan and then, mate the heatsink to the CPU.
- c. Progressively and alternatively (in a cross pattern) fasten four spring loaded screws until they bottom out.



5. Fan installation to the heatsink

Attach the fan to the heatsink using the provided clips, making sure that the fan blows towards the heatsink: the fan label should be facing against the heatsink fins, and will no longer be visible once the fan is installed.



6. Electrical connection

In order for the fan speed to be controlled by the motherboard PWM controller and to reach its full speed adjustment range which is 750 to 2500 RPM +/- 250 RPM, the fan's **4-pin connector must be plugged into the CPU fan 4-pin header of the motherboard**. The header is typically marked "CPU_Fan", and is always located at close proximity of the CPU socket.

If the fan's 4-pin connector is plugged into a motherboard 3-pin header, the fan will operate at full speed and lose its variable speed functionality. The fan can also be connected to a fan controller; however its speed adjustment range will be limited from 7 to 12v, i.e. 1500 RPM to 2500 RPM +/- 250 RPM. The fan cannot start below 7 volts.

Fan specifications

Rated voltage	12V	Rated Speed	750 ~ 2500 RPM +/- 250 RPM
Rated current	0.03 ~ 0.32 +/- 0.02A	Airflow	26.56 ~ 83.32 CFM
Start-up Voltage	7V	Static Pressure	1.74 ~ 4.85 mm-H ₂ O
Rated Power	0.36 ~ 3.84W	Noise Level	≤13.2 ~ 41.5dBA
Operating Voltage Range	10.2 ~ 13.8V	Bearing system	Hydraumatic
Dimensions	120x120x25mm	Function	PWM speed control
Weight	130.8 g	Connector	4-pin

DISCLAIMER

While all efforts have been made to provide the most comprehensive tutorial possible, Swiftech® assumes no liability expressed or implied for any damage(s) occurring to your components as a result of using Swiftech® cooling products, either due to mistake or omission on our part in the above instructions, or due to failure or defect in the Swiftech® cooling products. In addition, Swiftech™ assumes no liability, expressed or implied, for the use of this product, and more specifically for any, and all damages caused by the use of this product to any other device in a personal computer, whether due to product failure, leak, and electrical short, and or electro-magnetic emissions.

WARRANTY

Our products are guaranteed for 12 months from the date of delivery to the final user against defects in materials or workmanship. During this period, they will be repaired or have parts replaced provided that: (I) the product is returned to the agent from which it was purchased; (II) the product has been purchased by the end user and not used for hire purposes; (III) the product has not been misused, handled carelessly, or other than in accordance with any instructions provided with respect to its use. This guarantee does not confer rights other than those expressly set out above and does not cover any claims for consequential loss or damage. This guarantee is offered as an extra benefit and does not affect your statutory rights as a consumer.